

RS-422 64-Port Active Patchbay

Technical Bulletin #64, 9/05

- Makes Routing, Managing and Confirming RS-422 Signals Easier Than Ever
- 2x32 Ports Use Reliable Low-Cost Bantam Audio Patchcords
- Transmits Perfectly Re-Generated RS-422 Signals for Longer Cable Runs



RS-422 64-Port Active Patchbay, 2 RU

Product Overview

Bittree's new RS-422 64-Port Active Patchbay delivers the most significant improvement in RS-422 patching since its inception, making it easier to route, manage and confirm RS-422 signals.

The innovation lies in the patchbay's auto-sensing transceivers that receive, interpret and re-transmit perfectly regenerated RS-422 signals, eliminating inductive and capacitive signal-distortion frequently imposed by traditional passive switches.

The patchbay also gives you a powerful diagnostic tool that easily verifies the connection status between Masters and Remotes (i.e., Controllers and VTRs). The color-coded LEDs display the transmitting and receiving status of each machine plugged into the patchbay, providing you with a reliable way to manage and confirm RS-422 signals, as well as determine which machines are set to Master or Remote.

The RS-422 64-Port Active Patchbay also increases the reliability of your RS-422 connections. Mechanically, your system will be more reliable because it uses standard, robust bantam (TT) audio patchcords – instead of “card edge” patchcords used by competing 2x32 patchbays that can cost twice as much. Electrically, your system will be more reliable because it transmits regenerated, pristine RS-422 signals.

In addition to the signal-enhancement, diagnostic capabilities and increased reliability described above, the form-factor of the new RS-422 64-Port Patchbay is more efficient than competing models, thanks to its 2 x 32 port configuration that perfectly matches standard routers.

The RS-422 64-Port Patchbay is ideal for multiple edit bays and machine rooms in post-production, broadcast and duplication houses. And because the patchbay also serves as a repeater, it excels in today's larger networked installations, helping to provide RS-422 runs up to 8,000 feet.

Patchbay Features

- Electronic transceivers clean-up and re-generate RS-422 signals up to 8,000 feet
- 2 x 32 ports, 2 RU, 12" deep chassis
- Easy-to-read connection-status lights
- Uses standard, low-cost, ultra-reliable Bantam audio patchcords
- Port auto-sensing/auto-configuring (master or remote)
- SMPTE 207M compliant
- Designed for remote delegation protocols such as Sony and Lynx
- Normal I/O paired ports
- DE9 female rear interface
- Patchbay power indicator light
- Includes high-quality power supply
- Available with dual power supply

Built to Last

- Jacks rated to 30,000 minimum insertion cycles
- Rugged nickel-plated, cold-rolled steel box-frame jack construction
- Copper-nickel-silver alloy leaf springs with gold-alloy cross bar switching contacts and nickel-plated sleeve bushings
- Panels made from 3/16" solid aluminum with black durable powder-coat finish
- Extra-wide designation strips

Patchbay Product Number

The product number for the RS-422 64-Port Active Patchbay is 422A32; product number for dual power supply model is 422A32-D. Available for purchase direct from Bittree or from resellers around the world.

RS-422 64-Port Active Patchbay, continued

Port Patchbay Specifications (Fully compliant with EIA-422-A standards)

Rear Interface Connections

Signal: DE9 Female
 Life Cycle: 10,000 Insertions Cycles
 Power: Locking Mini Power Connector L722A

Front Interface Connections

Signal: Bantam (TT) jacks
 Life Cycle: > 30,000 Insertion Cycles
 Maximum Input-to-Output Propagation Delay: 1250 ns
 Patchcord: Standard Bantam (TT) patchcord



**AUDIO BANTAM (TT)
 PRODUCT NUMBER MATRIX
 BPC 24 00 -110**

Length in Inches (cm)	Color
24 (61)	00= Black
36 (92)	02= Red
48 (122)	04= Yellow
60 (153)	05= Green
72 (184)	06= Blue
	07= Purple

Bantam (TT) Patchcord

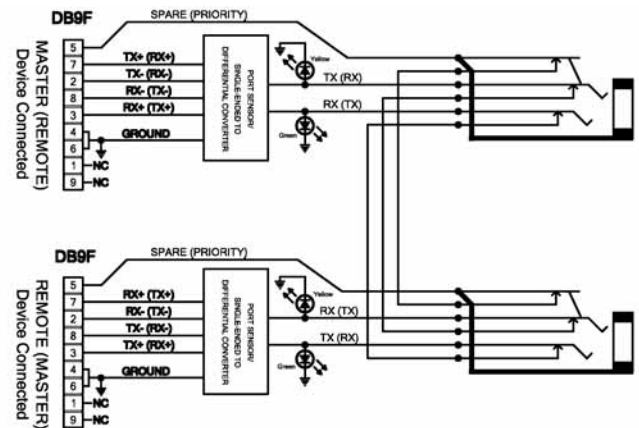
Power Requirements

Input: 100-120V AC, 47-63Hz; 0.75 amps
 Output: 5 ± 0.1 volts DC Regulated; 2.4 amps max
 Power Supply Connector: Locking Mini Power Plug S760K

Environmental

Operating Temperature: 0°C to 70°C
 Storage Temperature: - 55°C to 85°C

Product Schematic



DB9 Slim Hood

The profile of the DB9 Slim Hood allows users to fit up to 32 connectors in each row and take advantage of all 64 ports in the new RS-422 64-Port Active Patchbay.

The DB9 Slim Hood is easy to assemble, comes with a rugged tie-wrap strain relief to ensure solid connections, and features slotted thumb screws for maximum convenience.

Part Numbers

DB9Slim1 - one unit
 DB9Slim8 - set of 8
 DB9Slim16 - set of 16
 DB9Slim32 - set of 32

DB9 Slim Hoods not included with RS-422 64-Port Active Patchbay.



RS-422 64-Port Active Patchbay Power Supply

This high-quality power supply was designed exclusively for the RS-422 64-Port Active Patchbay. Screw lock-downs ensure power supply stays connected. Low-profile wall-plug helps power supply stay plugged in. 72" long, 5 volt, 2.4 amp.

Part Number

PS72S Power Supply(s) included with RS-422 64-Port Active Patchbay.